



AVK SMART WATER, VIDİ POSITIONER

3004/002-001

Position indicator for AVK extension spindles (#14-22 or #23-32)

VIDİ Positioner is a smart device for indicating the position of gate valves. This IoT sensor detects the open/close position of a gate valve and transmits the data wirelessly.

The device is installed in combination with an AVK extension spindle on multi turn valves. After installation and activation, the device transmits information about the position of the valve to the VIDİ Cloud platform or to a third-party software (e.g., SCADA or GIS).

VIDİ Positioner provides water utilities with valuable insights into the use of valves by remotely monitoring the position of a valve by indicating whether it is open, close, or any percentages in between. Based on the provided information, water utilities can optimise the operation of the water distribution network, extend the lifetime of assets, and efficiently reduce water loss.

Product description:

VIDİ Positioner is a battery-operated device that detects the position of a gate valve and transmits data wirelessly.

Standards:

EMC, RED, REACH, RoHS, CE

Features:

Positioner:

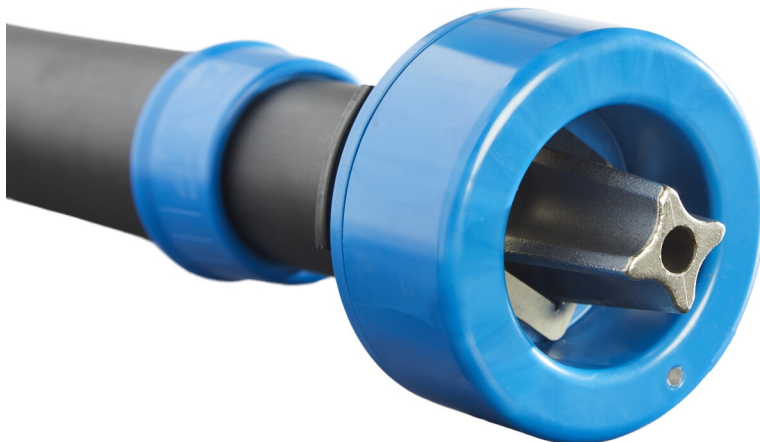
- Communication: NB-IoT (band 8 & 20) or LoRa® (868MHz)
- Detects the position of the valve and transmits data to the VIDİ Cloud or a third-party software
- Material: Robust plastic cover, IP68*
- Easy provisioning and configuration via NFC (Via AVK Assist app)
- Operating temperature: -20 up to +65 °C
- Fits on: AVK extension spindles (#14-22 and #23-32)
- Accuracy: A quarter of a full turn (90°)
- Transmits data immediately when the valve position change and retransmit the value after 5 min, 10 min, 1 hr, 6 hrs, 12 hrs, 24 hrs.
- Transmits a keep-alive signal every 24 hrs if the position has not changed

Battery:

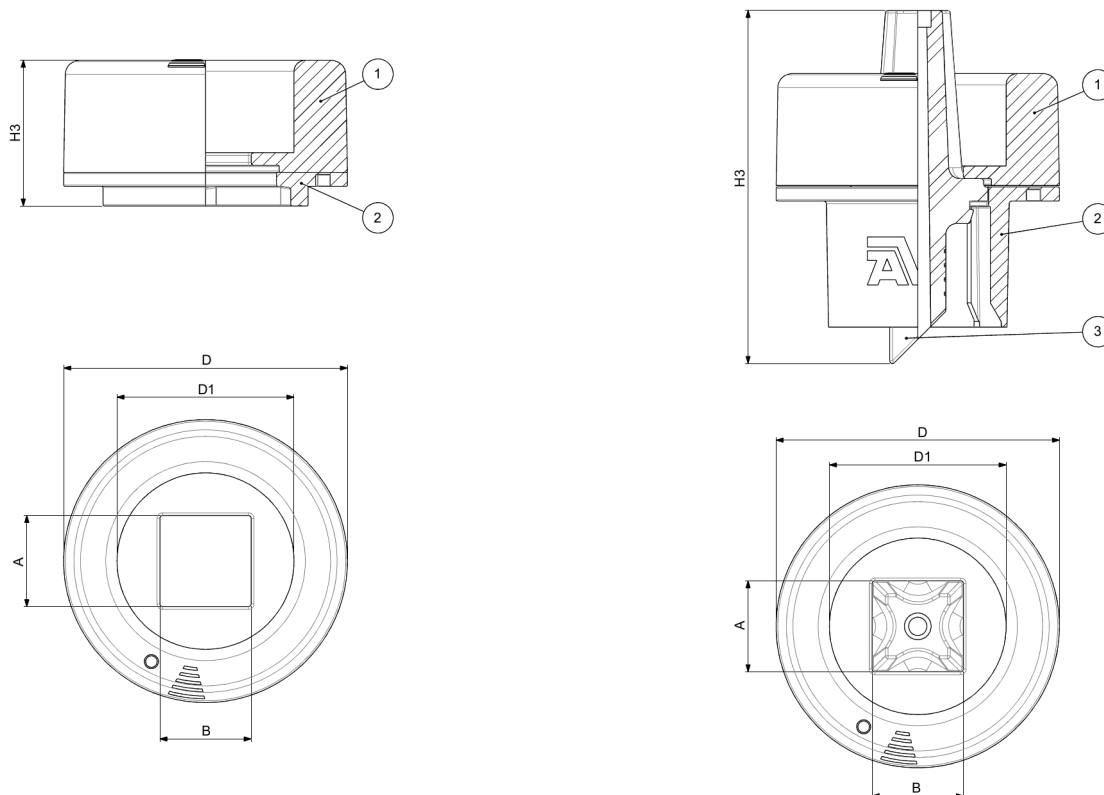
- Embedded battery with up to 10-year lifespan**
- Max. voltage output: 3.6 V
- Size: 2x 1/2 AA-cell (NB-IoT and LoRa®)
- Capacity / cell: 1200 mAh

* IP68: Maximum 24 hours of continuous submersion at 1 meter depth.

** Battery life depends on installation, environmental conditions and user interactions. Installation in areas with poor communication signal, low temperatures, use of iron covers or frequent network reconnections can affect battery life.



Expect... **AVK**



Component list:

1.	Position indicator	Luran S 778T (ASA)
2.	Fixation plate	Luran S 778T (ASA)
3.	Spanner	Cast steel

Components may be substituted with equivalent or higher class materials without prior notification.

Reference nos. and dimensions:

AVK ref. no.	Communi- cation	Extension spindle type	Spanner size mm	H3 mm	D mm	D1 mm	A mm	B mm	Theoretical weight/kg
3004-002-003-000 (1)	LORA	FL	22	126	101	63	22	22	0.7
3004-002-004-000 (1)	LORA	FL	32	126	101	63	32	32	0.7
3004-002-005-000 (2)	LORA	T	22	52	101	63	22	22	0.2
3004-002-006-000 (2)	LORA	T	32	52	101	63	32	32	0.2
3004-002-011-000 (1)	NB-IOT	FL	22	126	101	63	22	22	0.7
3004-002-012-000 (1)	NB-IOT	FL	32	126	101	63	32	32	0.7
3004-002-013-000 (2)	NB-IOT	T	22	52	101	63	22	22	0.2
3004-002-014-000 (2)	NB-IOT	T	32	52	101	63	32	32	0.2

(1) FL: Fixed Length
(2) T: Telescopic